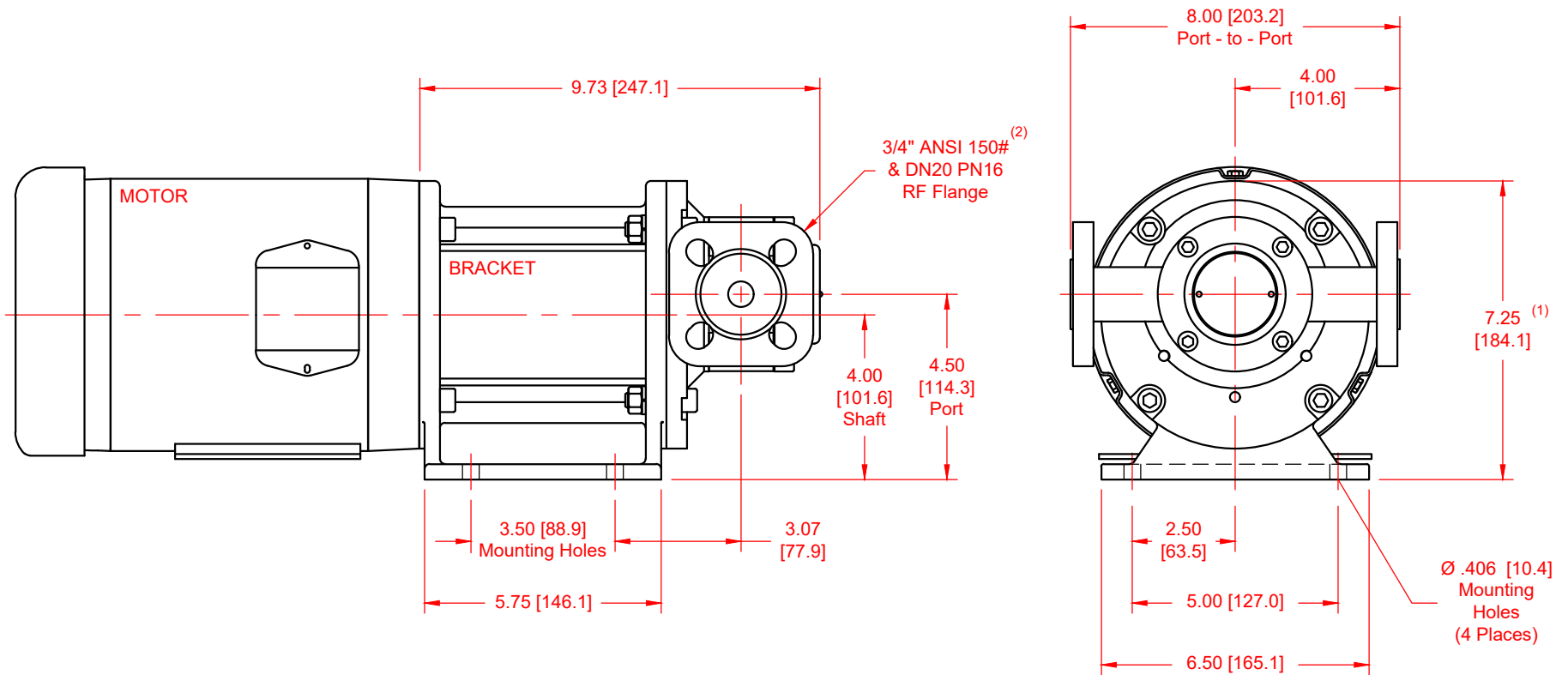


SERIES	MODEL	CONFIGURATION	SEAL TYPE
Poly-Guard	P1-P4	Mag-Drive Gear Pump Close-Coupled with RF Flanges.	Mag-Drive (Sealless)

UNITS: inches [mm]



NOTES:

- 1) Dimension to top of Bracket.
- 2) Universal flanges (earlier design for Models P1-P4 used ANSI 150# or DIN PN16 flanges).